

1 2 3 4 5 6

A

A

B

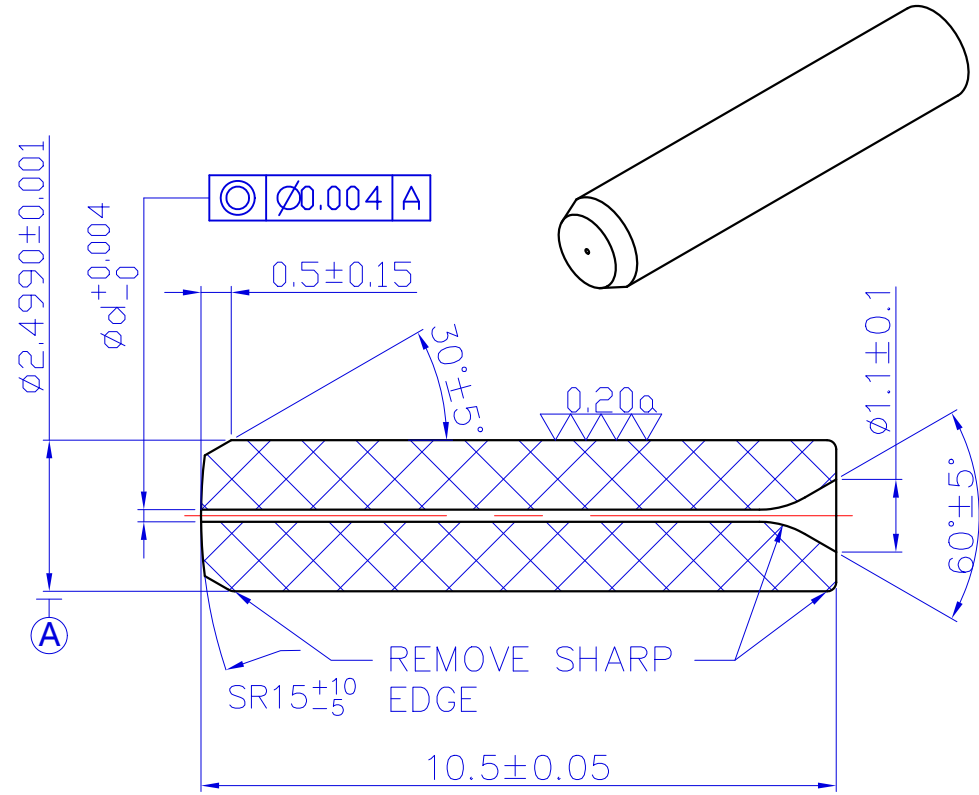
B

C

C

D

D



NOTE:

- 1、 REMOVE ALL BURRS AND BREAK SHARP EDGE
- 2、 NO DIRT ON SURFACE
- 3、 TOLERANCES UNLESS OTHERWISE SPECIFIED: $\pm 0.1, \pm 5^\circ$
- 4、 PRODUCT MUST BE RoHS COMPLIANT

	d
<input type="checkbox"/>	0.126
<input type="checkbox"/>	0.127

Title	SC/MM/PC			Material	ZrO2	Unit	mm
Dwg No.	FE.SCMM.P.d-C40-M3-0-00			Treatment		Scale	8:1
Drawn	Yixue.Gan	Date	2019.06.29			Ver.	1.0
Checked	Andrew.Li	Date	2019.06.29				
Approved		Date					

\triangle			
\triangle			
\triangle			
NO.	DATE	NOTE	SIGN

1 2 3 4 5 6